

GARAGE DOOR OPENER LM80EVX 800N

SKU: LM80EVX

GARAGE DOOR OPENER LM80EVX 800N

EAN: 4014243226659

Launch: January 2026



Garage door opener with pulling force of 800N for use on standard sectional and one-piece garage doors up to 155 kg. For use with maintenance-free toothed belt rails. Includes built-in radio receiver and powerful LED light. Prepared for Smart Phone control via myQ App.

Enhanced Features for Professional Installers

Three Selectable Speed Profiles

Customize door movement for every installation. The EVX Series offers three speed settings, allowing you to optimize for sectional, one-piece, or heavy garage doors. Achieve smooth, quiet, and safe operation tailored to your customers' needs.

Up to 25% More Lifting Capacity

Confidently specify the EVX Series for larger or custom-built doors. With increased lifting capacity up to 155 kg, you can tackle a broader range of projects without compromising safety.

1.6M Extended Power Cable

Enjoy faster, more convenient installations. The longer power cable provides greater flexibility, especially in garages with limited outlet access—reducing the need for extensions and streamlining your workflow.

Eco-Friendly Carton Inlays

LiftMaster is committed to sustainability. The EVX Series features recyclable carton inlays and eliminates foam packaging, making handling and unboxing cleaner and greener. Accessories are stored inside the main packaging for added convenience.

Digital Manuals & QR Codes

Stay up-to-date with the latest installation guides and product documentation. Each EVX opener includes a one-page guide with a QR code, giving you instant access to digital manuals and the myQ App—no more bulky paper inserts.

Exceptional Range

Reliable long-distance performance up to 300 meters free-field range – ideal for large properties and commercial sites.

Dual-Frequency Flexibility

Operates on both 433 MHz and 868 MHz – all in one receiver, ensuring compatibility and reduced interference.

Security+ 2.0 Encryption

Advanced encrypted radio communication prevents signal interference and unauthorized access – peace of mind for you and your customers.

Generous Memory Capacity

Supports up to 180 radio devices, making it ideal for multi-user environments.

Eco-Friendly Stand-by consumption

With only 0.8W Standby consumption EVX products save you money in everyday life.

Specifications:

	LM80EVX
Input Voltage	220-240 VAC, 50/60 Hz
Max. Pull Force	800 N
Cycles day / hour	30 / 10
Standby Power (door fully closed)	0.8 W
Motor type	DC gearmotor permanent lubrication
Noise level	54dB
Drive Mechanism	Belt
Length of Travel	2687 mm (8225CR5)
Opening speed, up to	200 mm/s
Max. door dimensions, height / width	3 / 5.5 m
Safety	Automatic force sensing and reversal
Force Adjustment	Automatic force adjustment
Limit Adjustment	Electronic
Soft-Start / Soft-Stop	Yes
Length (Overall with rail)	3372 mm (8225CR5)
Headroom Required	min. 35 mm
Hanging Weight	~ 11 kg
Memory Registers	180
Operating Frequency	RX (433.30MHz, 433.92MHz, 434.54MHz)
	RX (868.30MHz, 868.95MHz, 869.85MHz)
	TX (865,125 MHz, 865,829 MHz, 866,587 MHz) < 10 mW
Transmitter Model TX4EVF/ 128EV	
Transmitter Frequency	TX4EVF: (868.30MHz, 868.95MHz, 869.85MHz)/ 128EV: (433.30MHz, 433.92MHz, 434.54MHz)
Warranty	5 years full product warranty
	6 years electric motor warranty

Max. Door Weights				
Sectional doors	LM60EVX	LM80EVX	LM100EVX	LM130EVX
max. width (mm)	4100	4550	5550	5780
max. height (mm)	2560	2690	2590	2690
max. weight (kg) in all speed modes (A, B, C)	100	130	150	200
max. weight (kg) in slow speed modes A and B	125	155	190	250
Note: The default speed is set to slow open and slow close speed, Speed Mode A (slow opening / slow closing).				
One piece doors	LM60EVX	LM80EVX	LM100EVX	LM130EVX
max. width (mm)	3250	5000	5000	5000
max. height (mm)	2260	2300	2300	2300
max. weight (kg)	76,65	126	126	126
Note: The default speed is set to slow open and slow close speed, Speed Mode A (slow opening / slow closing).				

Compatibility:

All LiftMaster Security+2.0 (EVOLUTION) code accessories

Transmitters:

TX4UNIF, 041ATX4EVF (TX4EVF)
TX4UNIS-02, TX4EVS-01

Smart Control via myQ App:

828EV (myQ Gateway)
827EV (Garage Light)

Keypads:

780EV, 850EV

Wireless Wall Controls:

128EV

Special Features:

Speed modes

Partial Opening

Flashing lamp connection

Door-in-door switch connection

One button closing

Smart Phone control via myQ App

Auto Close 10 sec – 3 Minutes

Open / Stop / Close in Remote

Cycles counter

Temporary Access codes

30 V DC power supply connection

Turn on/off low Standby mode

Remote myQ LED light connection

Safety Edge connection

Keyless entry via Keypad

*Some features may require extra accessories

Tests and Certification:

TÜV GS Tested

Tested to EN 60335-2-95 and EN 60335-2-103

CE Mark

Delivery Scope SKU LM80EVX:

1 x Motorhead LM80EVX 800N incl. PCB with built in receiver, power cord 1.6M, low standby module

2 x 4-channel transmitters TX4EVF

1 x 2-channel wireless wall control 128EV

1 x Rail bracket, twist style

1 x Hardware bag

1 x Digital installation Instructions download QR code

1 x Declaration of Incorporation (DoI)

1 x Warning label

Installation Dimensions:

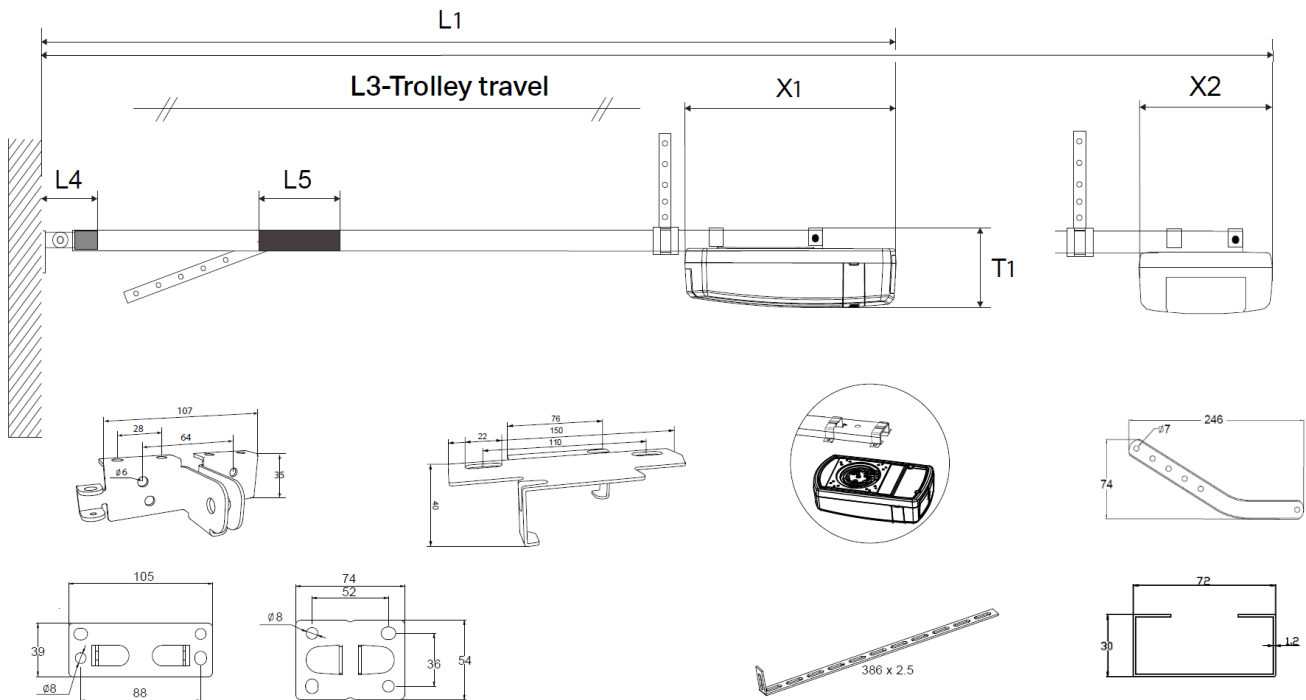
C-rail model	Profile length (mm)	L1 (mm)	L2 (mm)	L3 (mm)	L4 (mm)	L5 (mm)	X1 (mm)	X2 (mm)	T1 (mm)
8323CR5	2998	3183	3053	2498	180	165	380	210	142
8025CR5	3187	3372	3242	2687	180	165	380	210	142
8225CR5	3187	3372	3242	2687	180	165	380	210	142
8232CR5	3980	4165	4035	3500	180	165	380	210	142
8240CR5	4680	4865	4735	4145	180	165	380	210	142

Rails	Sectional garage door			
	Low-headroom dual rail		Normal-headroom single rail	
	Front spring mm	Rear spring mm	Front spring mm	Rear spring mm
8323CR5	2160	2010	2300	2110
8025CR5/8225CR5	2350	2200	2500	2300
8232CR5	3160	3010	3310	3110
8240CR5	3805	3660	3955	3755

All shown rails available for deliveries from Warehouse Luxembourg. Further variants available for Direct Shipments.

L1 = Total mounted length with operator
 L2 = Total mounted length with operator turned 90°
 L3 = Trolley travel length
 L4 = Header bracket assembly

L5 = Trolley length
 X1 = Operator length
 X2 = Operator width
 T1 = Total mounted height with operator.



Dimensions:

Carton: 390 x 180 x 240 mm
Carton weight: 4.35 kg
Pallet quantity: 48 units



Step-up products:

LM100EVX GARAGE DOOR OPENER LM100EVX 1000N

LM130EVX GARAGE DOOR OPENER LM130EVX 1300N

